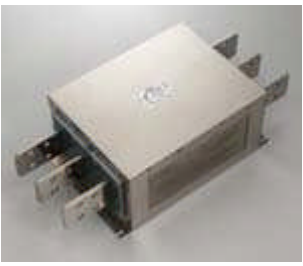


CC3000C-P Series
3 Phase & 3 lines 500VAC

Inquiry

200 up to 400A/for out-put



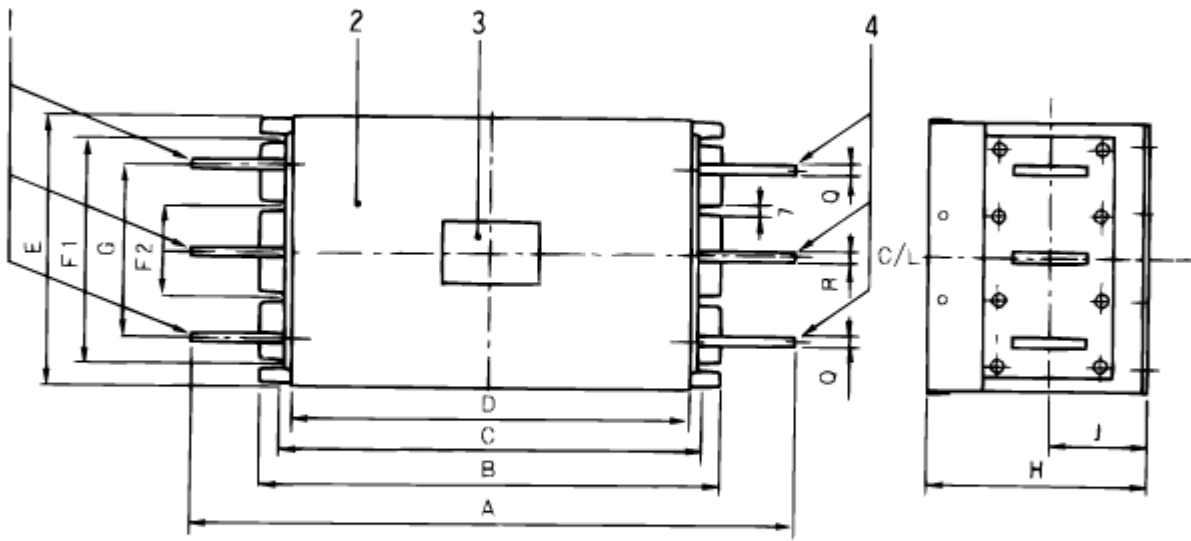
Application

Inverter/for Out-put

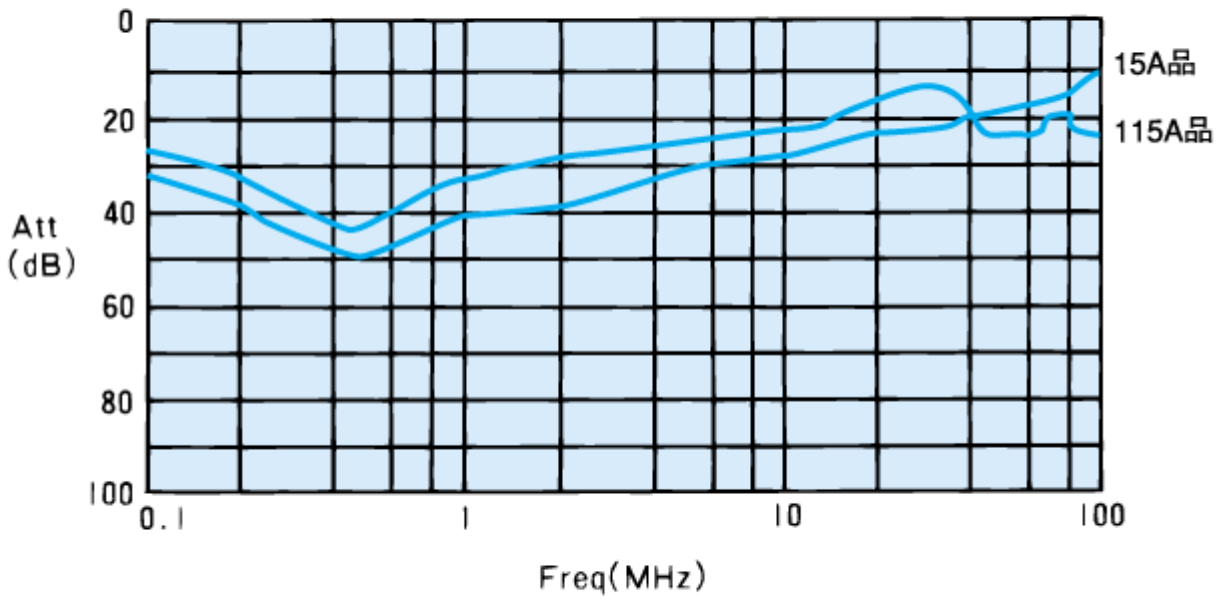
Specifications

Part No.	Rated Current	Weight	Dimensions [mm]															
			A	B	C	D	E	F1	F2	G	H	J	L	M	N	P	Q	R
CC3200C-P	200A	12Kg	400	290	260	230	220	180	80	146	170	85	20	40	20	40	4	3.5
CC3250C-P	250A	13Kg	400	290	260	230	220	180	80	146	170	85	20	40	20	45	4.5	4
CC3300C-P	300A	16Kg	510	360	330	300	240	200	80	160	170	85	30	40	25	60	5	4.5
CC3400C-P	400A	17Kg	510	360	330	300	240	200	90	160	170	85	30	40	25	60	7	6
Rated Voltage	500VAC																	

fig1 (200-400A)



Frequency Data



Circuit Diagram

